

# Coretrax

## ADVANCE

### Pressure Test Sub MX™

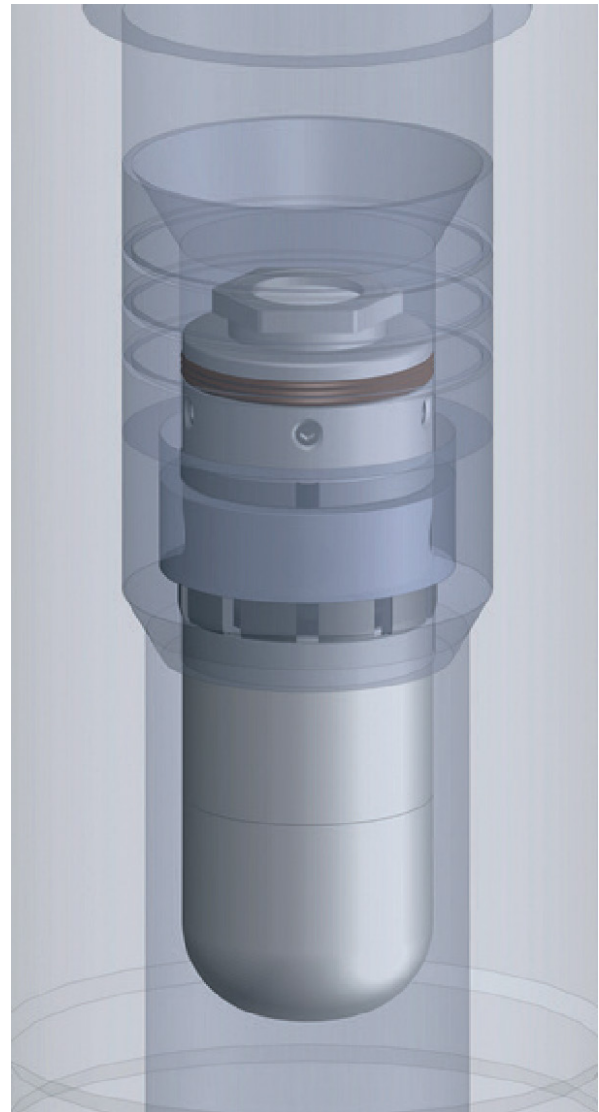
**For in-hole string testing, the Pressure Test Sub MX™ is a simple and accurate way to perform multiple, variable pressure tests on the string. It has the added capability of regaining full circulation after each test.**

The system comprises of the test and catcher subs installed below the drill pipe that is to be pressured up. Simply pump the pre-configured smart dart into the sub and hold pressure post land out. Once complete, shear the dart out into the catcher and resume operations.

The subs can be run below any length of pipe, at any angle or temperature, and can be used with any type of circulation fluid.

#### Features and benefits

- Multi-cycle – perform repeat tests at varying pressures as required
- Pre-configured darts for specific pressures
- Quick and simple drill pipe integrity test
- Regain full circulation after each





# Coretrax

## ADVANCE

### Pressure Test Sub MX™

<b>Specifications</b>			
<b>Body Sub</b>			
Connection (Box-Pin)	NC38 (3 1/2 IF)	NC50 (4 1/2 IF)	6 5/8" REG
Make-Up Torque (kft-lbs)	13	34	57.2
Material	AISI 4145-H Modified – 120 ksi		
Max Diff. Pressure (psi) (in-out & out-in)	10,000	10,000	10,000
Length (ft)	3.5	3.5	3.5
Weight (lbs)	150	325	485
Sub Max OD (in)	5	7	8.25
Pin ID (in)	2.25	2.81	2.81
Drift ID (in)	1.95	2.20	2.65
<b>Catcher Sub</b>			
Number of Cycles	10	10	10
For lengths (ft)	12	12	12
Weight (lbs)	480	1,000	1,350
Sub Max OD (in)	5	7	8.25
Catcher Pin ID (in)	2.19	2.81	2.81
Drift Diameter (in)	1.89	2.14	2.64
Catcher min. TFA (sq-in) (catcher pin)	3.77	6.2	6.2
Inner Annulus TFA (sq-in)	4.83	9.35	12
<b>PTS Darts</b>			
Dart OD (in)	2.00	2.25	2.70
Recommended Drift for darts to pass (in)	2.063	2.313	2.750
String Test Pressure (psi)	5,000 <sup>1</sup>	5,000 <sup>1</sup>	5,000 <sup>1</sup>
Dart Shearing Pressure (psi)	~10% above test pressure <sup>2</sup>		
<b>Other Info</b>			
Temp – Standard (Celsius/Fahrenheit)	160/320		
Temp – High (Celsius/Fahrenheit)	200/392		
Temp – Super High (Celsius/Fahrenheit)	250/482		

1. Other pressures available on request
2. Definitive shear out pressure range will be confirmed per dart batch